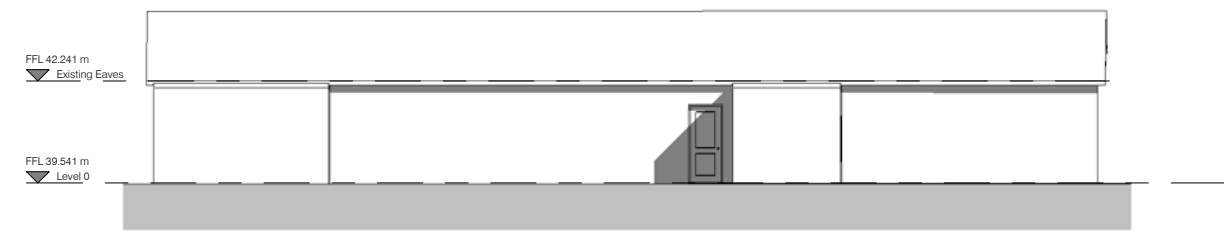


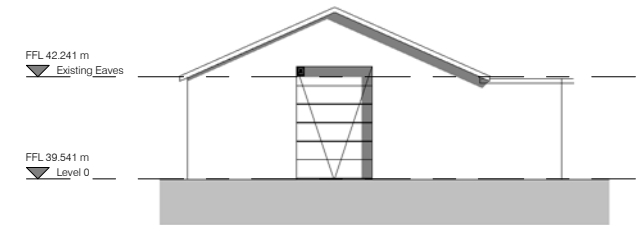
Level 0 - Existing Plan  
1:100



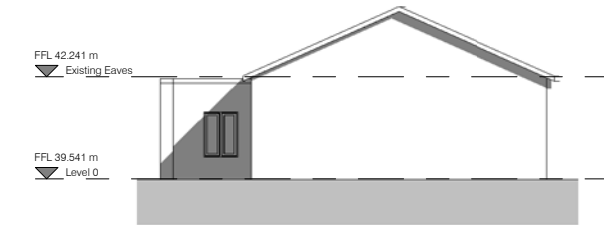
Existing North Elevation  
1:100



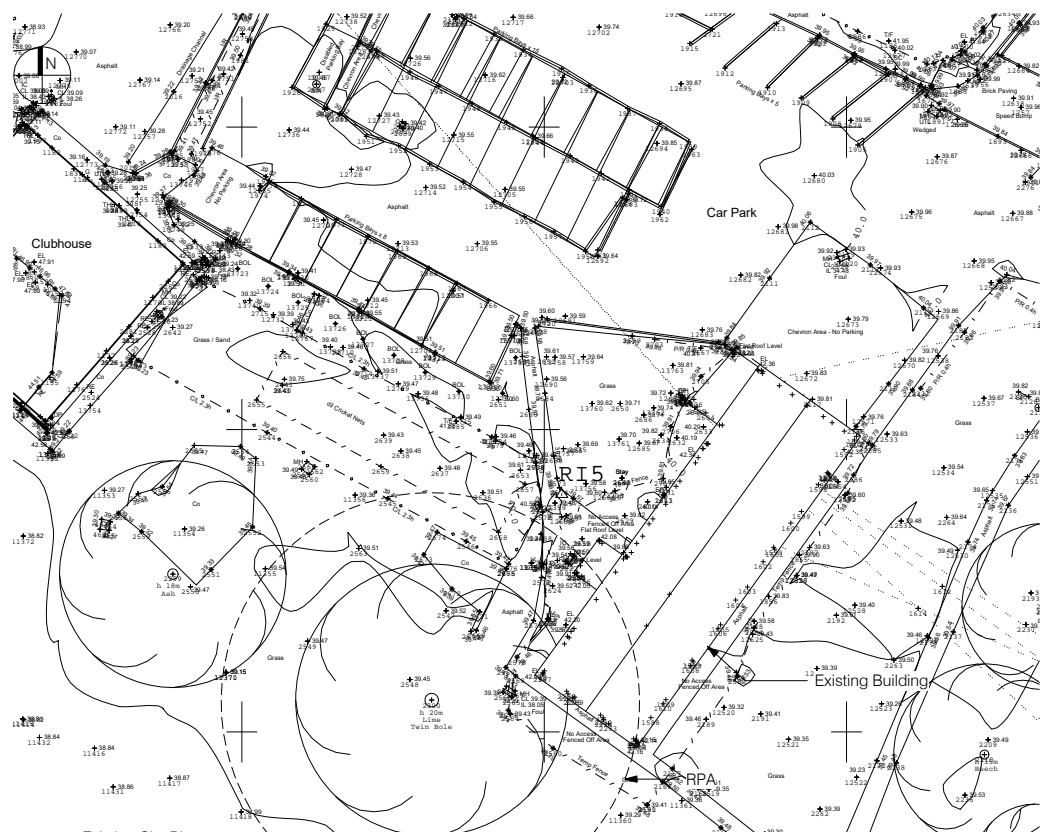
Existing South Elevation  
1:100



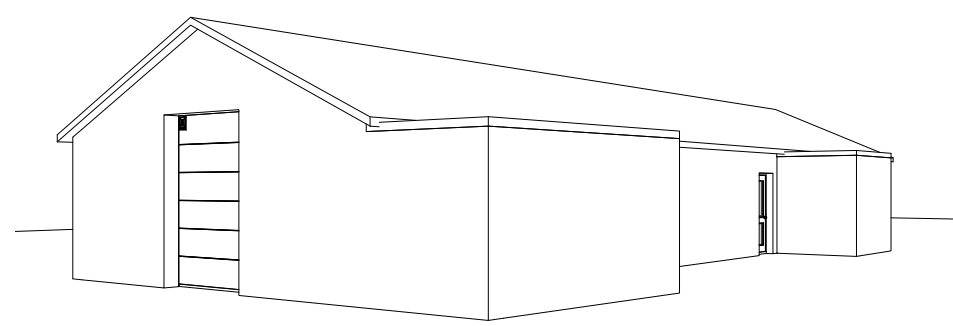
Existing East Elevation  
1:100



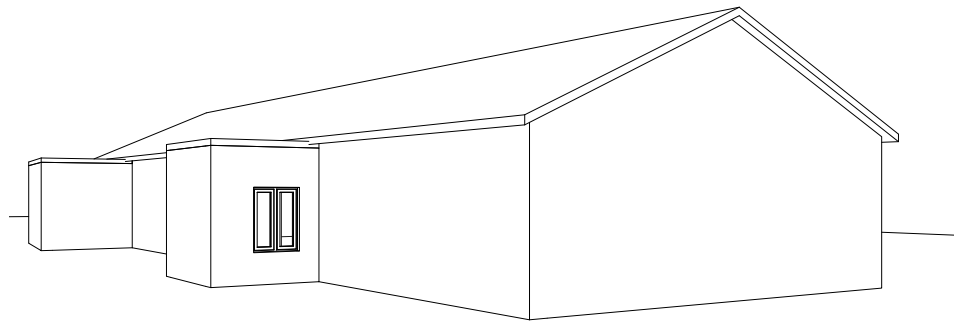
Existing West Elevation  
1:100



Existing Site Plan  
1:250



Existing view from North



Existing view from West

Issue	Revision Description	Date	AB	RP
A	Amended to Client Comments	18-06-2021	AB	RP

Project  
Maintenance Building

Client  
Melksham Town Council

Drawing Title  
Existing Shed and Site

Project No. 2011      Drawing No. 2 040 A

Project Stage: RIBA 2      Issue Substage: PLANNING INFORMATION